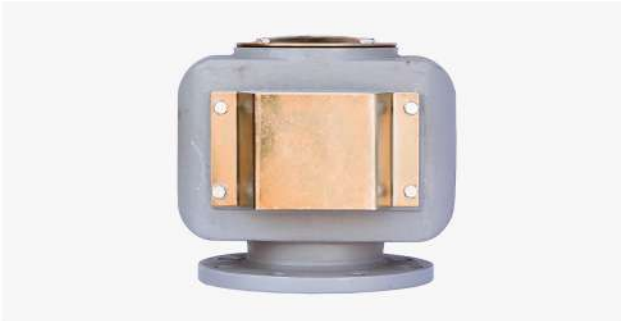
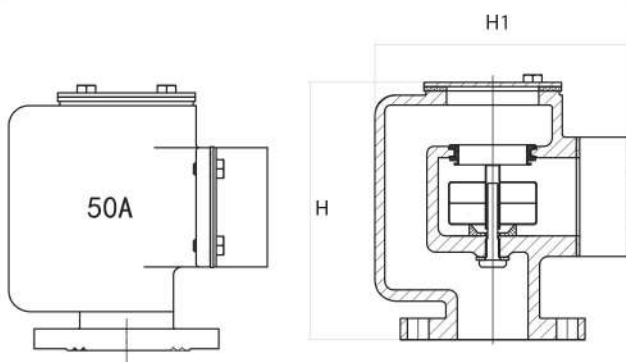


Size 50A-80A



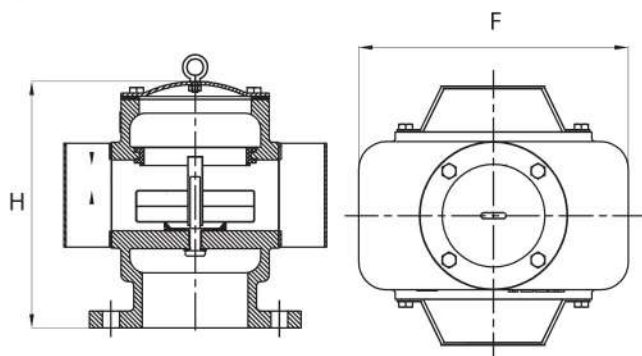
DN	H	H1
50	175	174
65	204	207
80	244	240



Size 100A-450A



DN	F	H
100	246	220
125	284	250
150	326	285
200	428	365
250	542	430
300	612	530



All products are Mill certificated 3.1B/